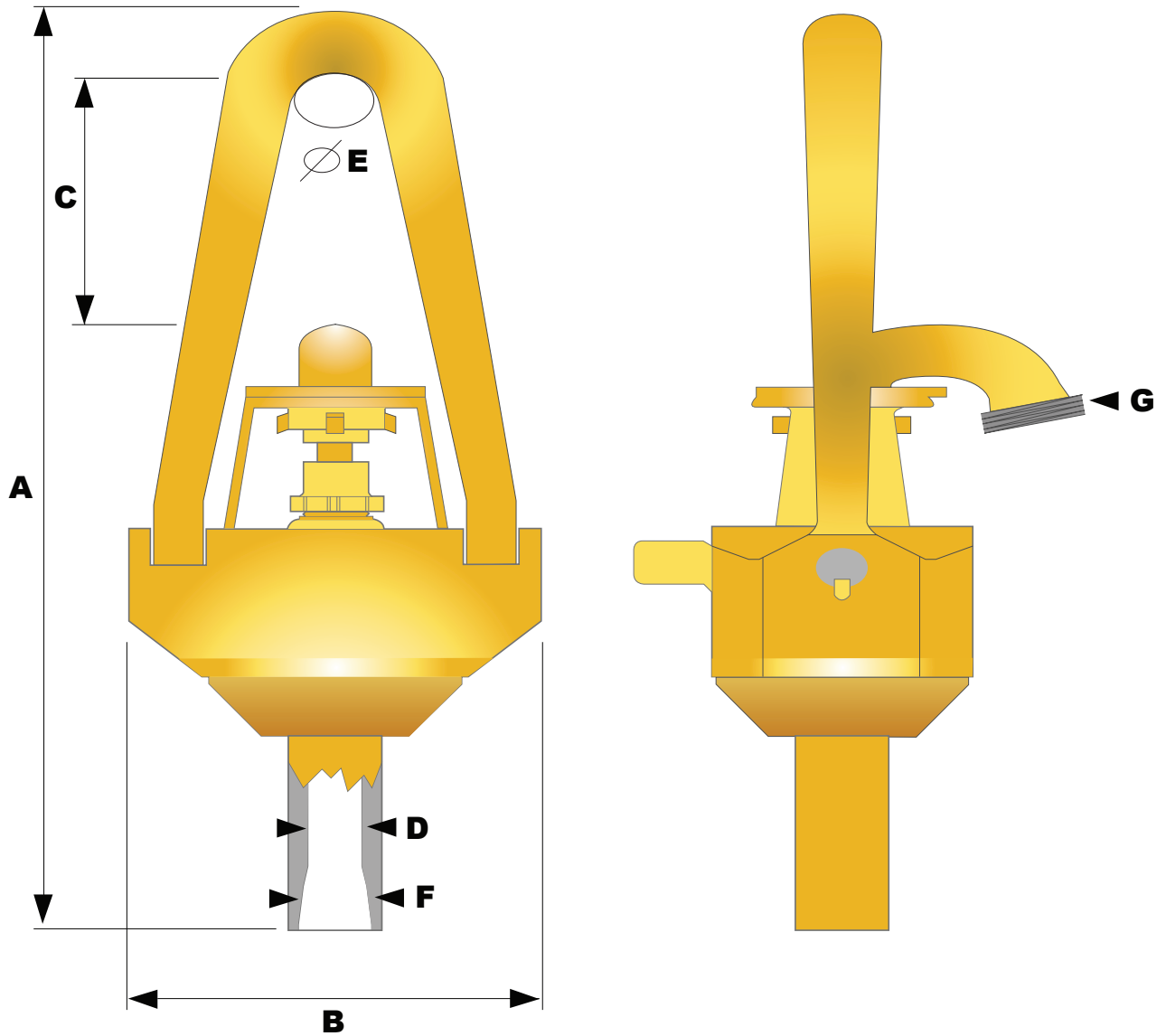


SWIVEL



DIMENSIONAL CHART

MODEL	TON Capacity	GOOSE NECK UNION							WORKING PRESSURE	ESTIMATED WEIGHT (LBS. / KG.)
		A (in.)	B (in.)	C (in.)	D (in.)	E (in.)	F (in.)	G (in.)	PSI	
A - 200	200	82 ⁷ / ₈	34 ⁷ / ₈	19	3	9	4 ¹ / ₂	6	5000	2,600
A - 300	300	89 ³ / ₄	35 ³ / ₄	21	3	9	5 ¹ / ₂	6	5000	3,500
A - 400	400	92 ¹ / ₂	39 ¹ / ₂	22	3	9	6 ⁵ / ₈	6	5000	4,690
A - 500	500	96 ¹ / ₂	45 ¹ / ₂	22	3	9	7 ⁵ / ₈	6	5000	5,670
A - 650	650	100	45	23	3	9	7 ⁵ / ₈	6	5000	6,600
A - 750	750	123 ⁵ / ₈	55 ¹ / ₄	24 ⁷ / ₈	4	9	8 ⁵ / ₈	7	7200	11,000